

C

CHAIN FEEDING & ACCESSORIES



CHAIN FEEDING SYSTEM WITH DIRECT DRIVE

The LANDMECO chain feeding system is developed on the basis of many years' experience with conventional chain feeders.

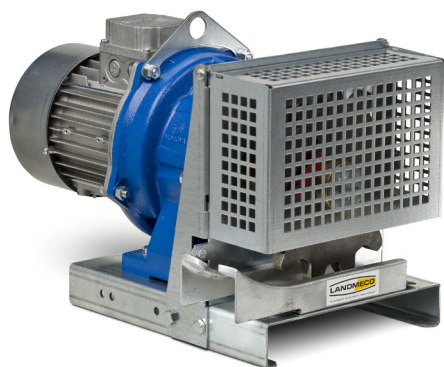
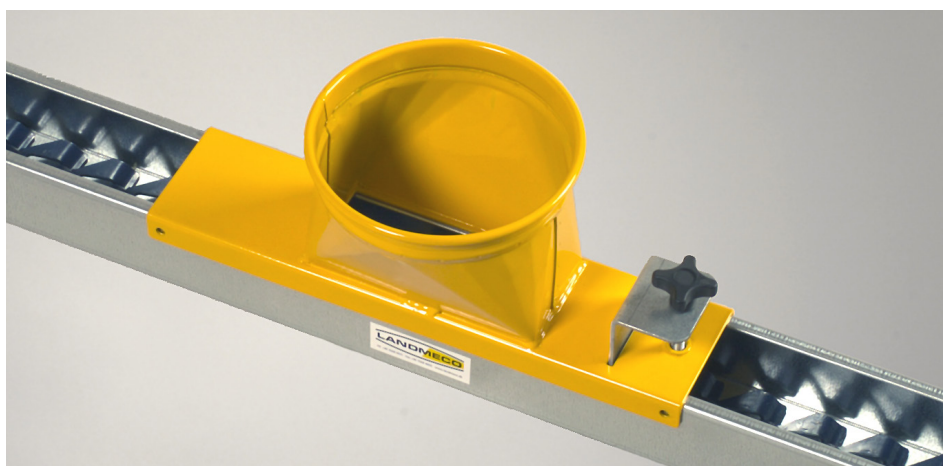
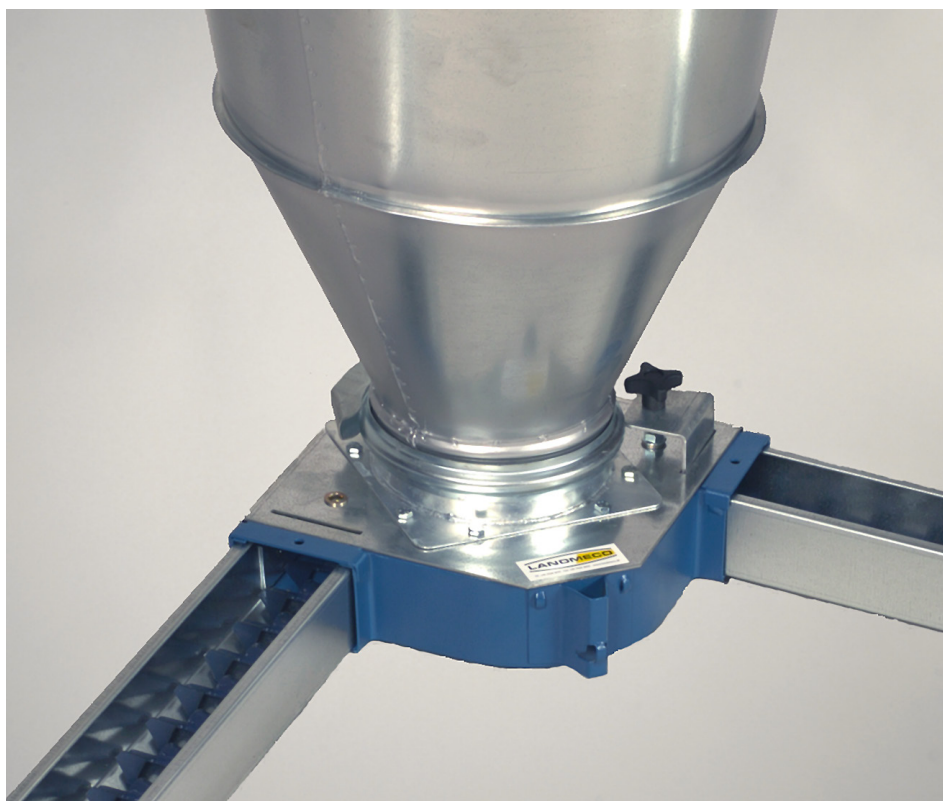
The system is based on few, thoroughly tested standard components, thus ensuring high functionality and reliability.

Chain feeding systems can be supplied for suspended installation, installation on supports or direct installation on slats. For suspended installation, specially designed, open, one-armed hangers for specific trough types are available. Feed accumulation is thus prevented and the risk of birds being crushed is avoided.

Separate feed inlet

Feed inlets are installed direct on the trough or corner units and can be positioned as required.

The chain feeding system is designed in separate modules and is therefore very flexible. Depending on specific needs, up to eight corner units, additional inlets, etc. can be installed.

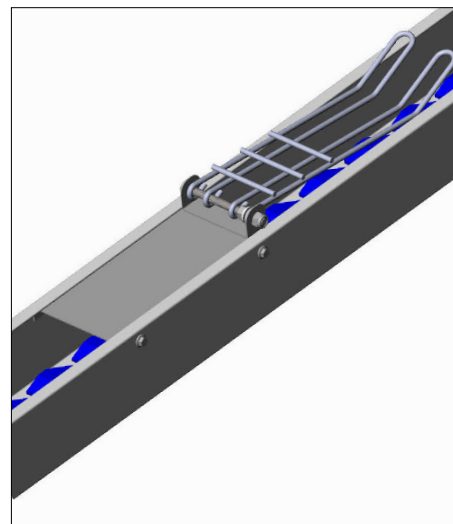


Direct drive

The drive unit is installed on the feed trough and drives the feed chain direct. There is thus no drive chain, bearings, etc., and the system is therefore extremely easy to maintain and clean. The drive unit can be freely positioned as desired.

Rough cleaning

The two prongs effectively remove chicks and eggs from the feed trough. The prongs are easily mounted direct on the trough itself. The trough cleaner is ideal for layer houses, but is also suitable for chick feeders.



JOY FEEDING

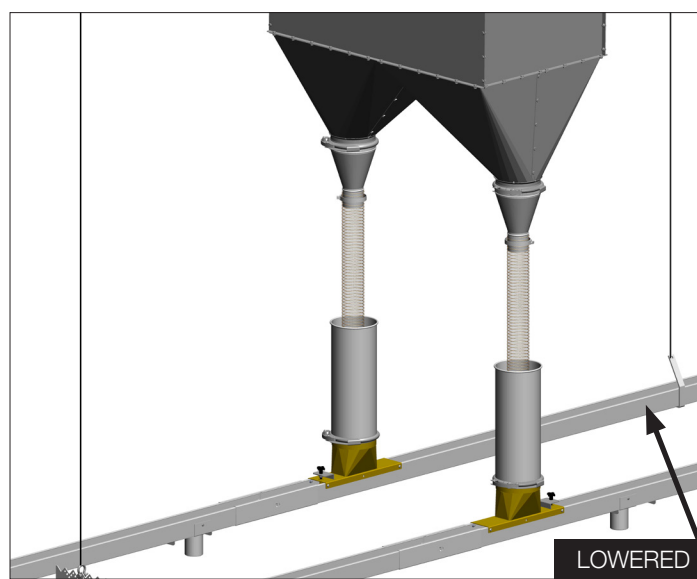
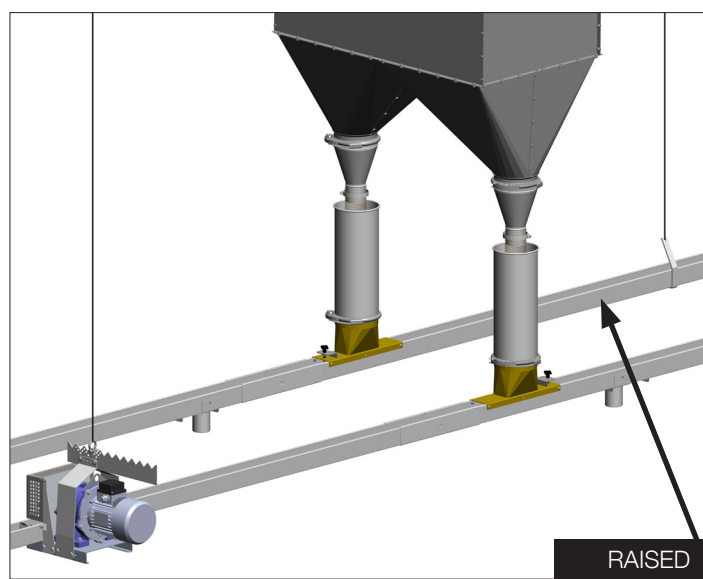
JOY FEEDING IS THE LANDMECO FEEDING SYSTEM FOR BROILER BREEDING STOCK. IT IS BASED ON THE WELL-KNOWN, TRIED AND TESTED LANDMECO CHAIN FEEDING SYSTEM AND HAS TWO FEED HOPPERS FOR EACH CIRCUIT. THE FEED TROUGH IS RAISED AND LOWERED AUTOMATICALLY SO THAT ALL BIRDS ARE FED SIMULTANEOUSLY AS DESCRIBED IN THE FOLLOWING:



In this position, hoppers are filled with the required feed quantity. This is regulated by the feed weight controller. Just before feeding time, the chains are started so that they become filled throughout the system. When the chains have completed the circuit, the feed trough is lowered automatically to the required feeding height.



The chains continue dispersing feed while the hens are feeding until the feed dose has been used. The chains then stop and the hens can eat the feed remaining in the trough. If required, the control system can be programmed to spread the desired feed dose over several feeds. After feeding is completed, the trough is raised again. Experience has clearly shown that the stress levels of feed-rationed birds and the number of eggs laid on the ground are considerably reduced by the use of Joy feeding systems.

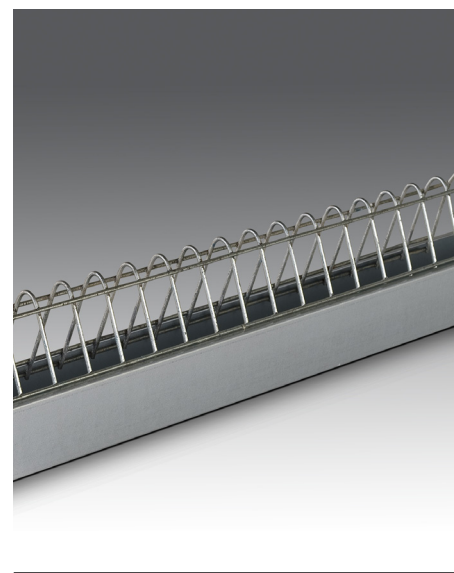
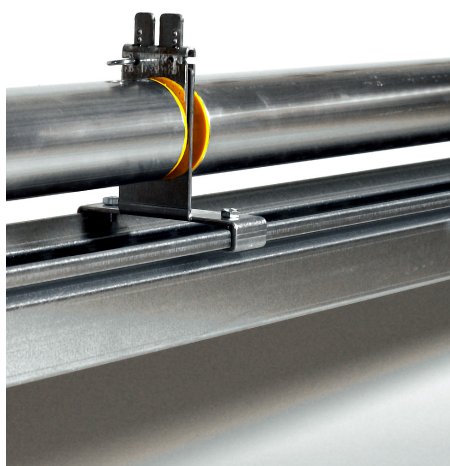


FEMALE FEEDING

LANDMECO recommends the use of a roller bar on top of the feeding trough for separate sex feeding. The system treats the hens gently as the round bar rolls against the hens' heads. At the same time, males are prevented from eating as their heads are larger.

Clearance between roller bar and trough edge can be easily adjusted to suit hen head size.

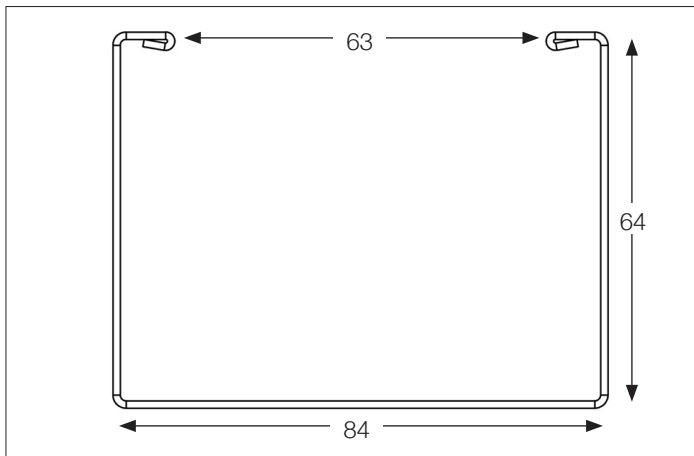
The roller bar can be adapted to all trough types, not only LANDMECOs. The roller bar is made of aluminium and is therefore very light. Roller bars are available in lengths of 2.5 metres.



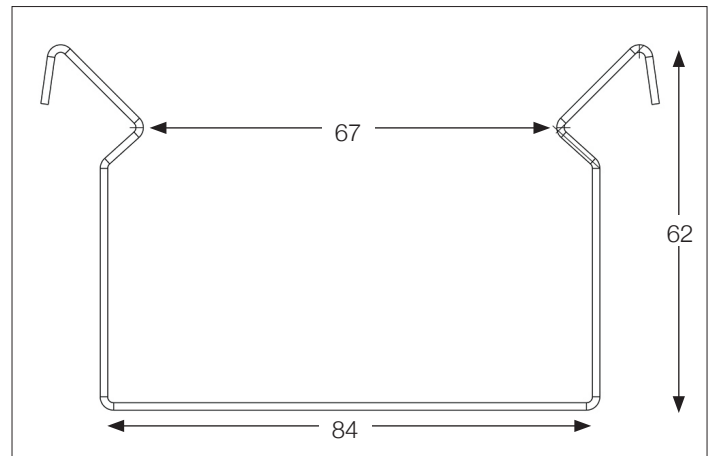
TECHNICAL SPECIFICATIONS

TECHNICAL DATA	
Gearmotor	0.37-1.1 kW (220V or 380V)
Chain speed	10-40 m/min
Feed trough	Length 3 m
Feed hopper	30-300 kg
LMC coupling	Length 400 mm
Standard coupling	Length 100 mm
Standard coupling for suspended feeder	Length 400 mm
Supports	Height 400-700 mm
Corner units	90° or 135°
Max. length with four corners	240 m with chain speed of 10 m/min
Max. length with eight corners	160 m with chain speed of 10 m/min
Hanger brackets	For LANDMECO trough or standard trough
Min. amount of feed per meter trough	500 g

Standard feed trough



LANDMECO feed trough



See also LANDMECO brochures on, for example:
(LANDMECO retains the right to alter specifications without notice)



PAN FEEDING



DRINKING SYSTEMS



REARING & MALE FEEDING



AUGERS

AGENT

farmtec®

Tisová u Jistebnice 326, 391 33 Jistebnice, Tel.: +420 381 491 111, Fax: +420 381 491 112, www.farmtec.cz, farmtec@farmtec.cz