

D

DRINKING SYSTEMS



DRINKING NIPPLES



Water is one of the most important factors determining the growth and health of broiler chickens. LANDMECO's domestic market covers all of Scandinavia, where there has been increased focus on litter quality and foot pad control over the last few years. LANDMECO has actively contributed to improving litter quality and solving foot pad problems by choosing nipples which keep litter dry without compromising product quality.

We attached great importance to whether the nipples could provide birds with the water they require, both as day-old chicks and when approaching slaughter weight, without any water spillage.

All nipples can be activated 360° in any direction, giving even small day-old chicks easy access to water during the first critical days after the flock is introduced into the poultry house. As the chicks grow, their ability to lift the trigger pin, and thus to increase the water flow, improves. The more the trigger pin is lifted, the more water is supplied by the nipple.

In our experience, litter quality and feed consumption can be significantly improved by choosing the right drinking system and following our recommendations for its use.

LANDMECO
SELECTED



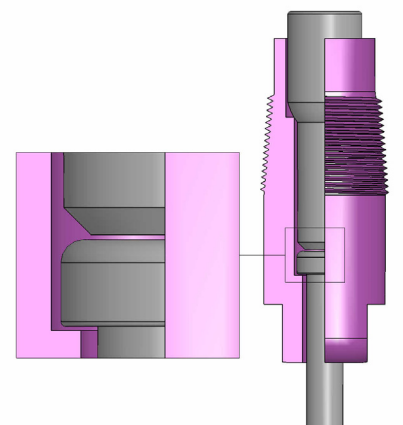
LANDMECO has selected its special drinking systems on the following criteria:

1. Flexible water flow
2. Effective shut-off
3. No water spillage
4. Reliability and durability
5. Simple, flexible fitting
6. Easy cleaning
7. Resistance to disinfection and cleaning agents

TWO DRINKING NIPPLE TYPES: LUBING PISTON NIPPLES

Lubing piston nipples allow birds to drink up to 91 ml per minute. The relatively thin trigger gives even small day-old chicks easy access to water. The trigger is activated by very slight pressure, making it easy for chicks from young hens to obtain sufficient water.

LANDMECO always recommends that drip cups are used with Lubing piston nipples.

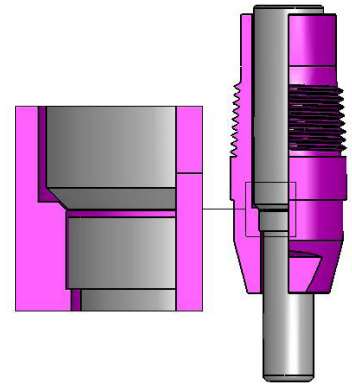


CORTI PISTON NIPPLES

Corti piston nipples allow birds to drink up to 110 ml per minute. Thanks to its relatively thick trigger, the nipple closes quickly. Side pressure on the trigger produces a low yet constant water flow. The nipples are made of stainless steel.

LANDMECO is the only supplier that offers Corti nipples with turned trigger pin. The turned trigger pin allows greatly improved control of water flow and prevents any water spillage from the nipple.

Because of the high water flow, LANDMECO recommends that drip cups are used with Corti piston nipples.

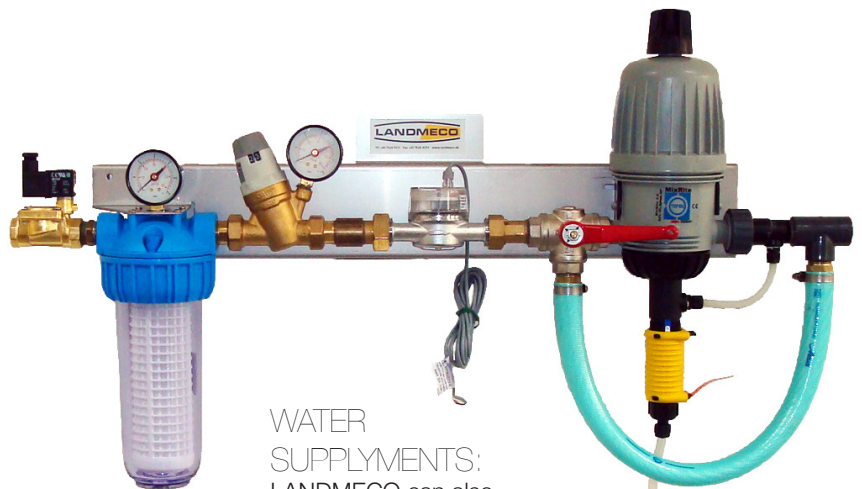
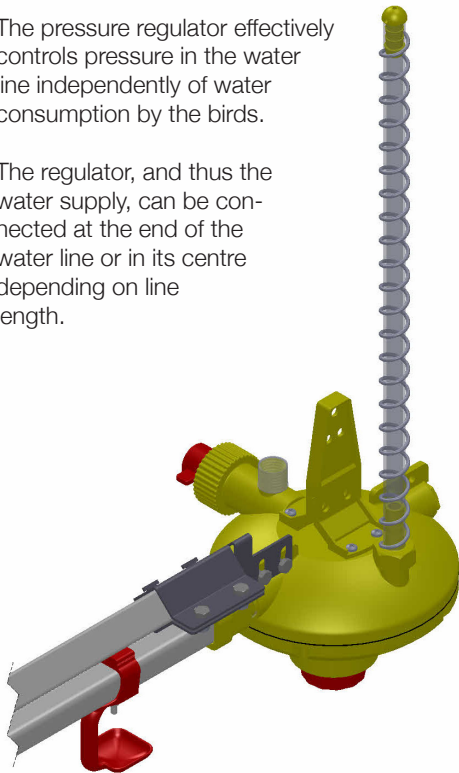


PRESSURE REGULATOR

The pressure regulator features a simple and user-friendly built-in flush system which, with a single function, allows the water line to be flushed at high pressure. In addition, the low number of components improves reliability.

The pressure regulator effectively controls pressure in the water line independently of water consumption by the birds.

The regulator, and thus the water supply, can be connected at the end of the water line or in its centre depending on line length.



WATER SUPPLYMENTS:
LANDMECO can also supply water supplyments together with the drinking system. The water supplyments are pre-assembled and very easy to fit.



LANDMECO's plastic nipple pipes are square pipes (22 x 22 mm) into which nipples are screwed direct.

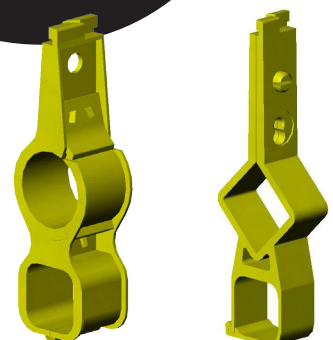
Nipple Pipes:

SUSPENSION AND SUPPORT PIPES

As standard, hot-galvanised square pipes (25 x 25 mm) are used to support and stabilise nipple pipes. The pipes are joined using 200 mm internal connectors which ensure reliable, rigid joints that do not conceal dirt.

Support pipes are turned so that their four sides are at a 45° angle. This ensures greatest possible pipe stability, both vertically and horizontally. Square pipes are also more easily cleaned than round ones as dirt is not simply washed to the far side of the pipe. As an alternative to square support pipes, 3/4" galvanised pipes can be used.

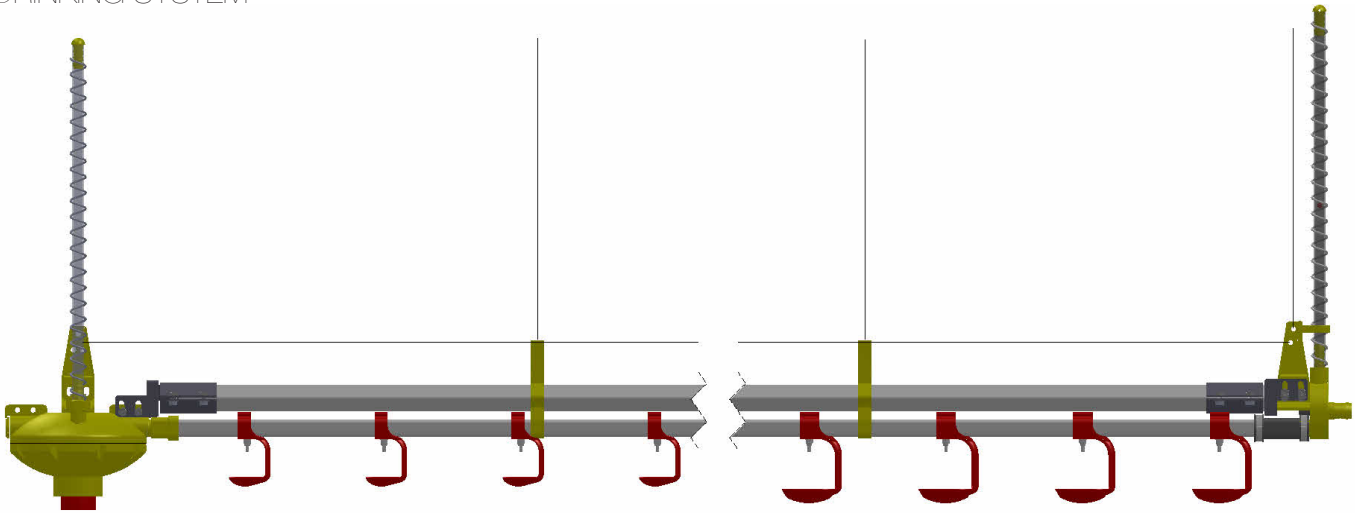
If required, an anti-perch wire can be fitted above the support pipe.



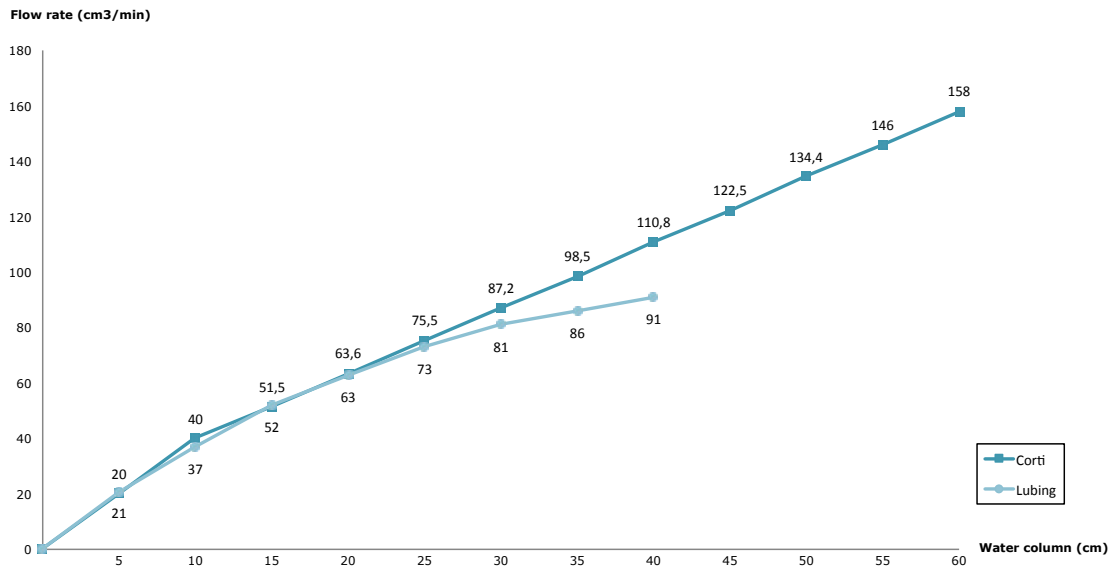
ACCESSORIES

TECHNICAL SPECIFICATIONS

DRINKING SYSTEM



FLOW CHART (TRIGGER PINS LIFTED 7 MM)



See also LANDMECO brochures on, for example:
(LANDMECO retains the right to alter specifications without notice)



PAN FEEDING



BREEDING STOCK



HEATING SYSTEMS



AVIARY SYSTEMS - COMBO2

AGENT

farmtec®

Tisová u Jistebnice 326, 391 33 Jistebnice, Tel.: +420 381 491 111, Fax: +420 381 491 112, www.farmtec.cz, farmtec@farmtec.cz